

SURGEONS SCRUB SINK

- Vitreous china
- Low front rim
- Wall hanger

Faucet holes on 203mm (8") centers:

- ❑ **9047.044** for wall hanger (included) or for exposed bracket support [381mm (15") painted brackets available].

Single center faucet hole (Illustrated):

- ❑ **9047.093** for wall hanger (included) or for exposed bracket support [381mm (15") painted brackets available].

Nominal Dimensions:

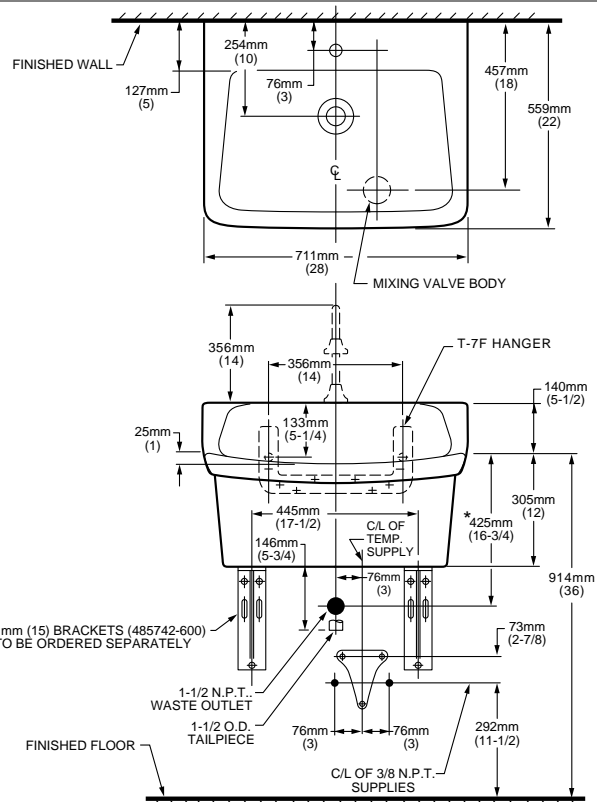
711 x 559mm (28" x 22")

Fixture Dimensions conform to ANSI Standard A112.19.2



- To Be Specified
- ❑ Gooseneck Spout: 7522.055
 - ❑ Knee Action Mixing Valve: 7676.029
 - ❑ Grid Drain: 7716.020
 - ❑ Trap:
 - ❑ Nipple:
 - ❑ Painted Bracket Support: 485742-600 (2 req'd)
 - ❑ Flex Tempered Supply (by others):

Available in White only



NOTES:
 * DIMENSION SHOWN FOR LOCATION OF "P" TRAP IS SUGGESTED.
 FITTINGS NOT INCLUDED AND MUST BE ORDERED SEPARATELY.
 15" PAINTED SUPPORT BRACKETS 485742-600 AVAILABLE AND MUST BE ORDERED SEPARATELY.
 PROVIDE SUITABLE REINFORCEMENT FOR ALL WALL SUPPORTS.
 IMPORTANT: Dimensions of fixtures are nominal and may vary within the range of tolerances established by ANSI Standard A112.19.2.
 These measurements are subject to change or cancellation. No responsibility is assumed for use of superseded or voided pages.